



MPO MTP Adapter

MPO Adapter

Description

MTP/MPO adapter has two types as key-up to key-down and key-up to key-up. It provides the connection between cable to cable or cable to equipment in the MTP/MPO style. It works for any MTP Connector from 4 fiber to 72 fiber, widely used in trunk cabling and cassettes. This adapter meets appropriate standards and is perfect for your parallel optics and MTP adapter needs.

Feature

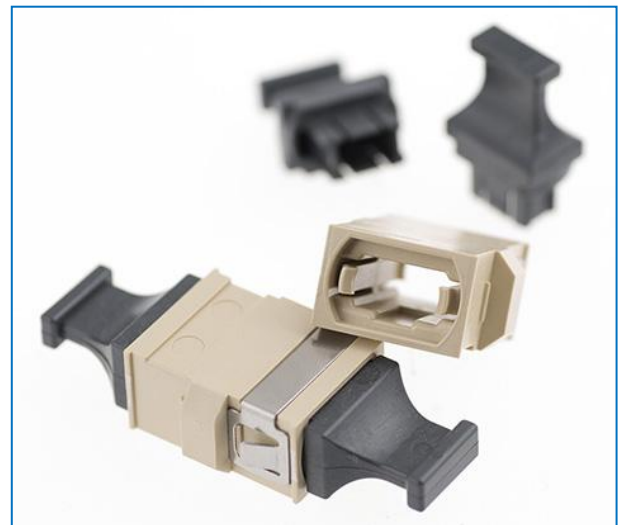
- Panel clip for easy installation
- Available in several standard colors
- Available without flange or with flange
- All parts compliant with ROHS

Application

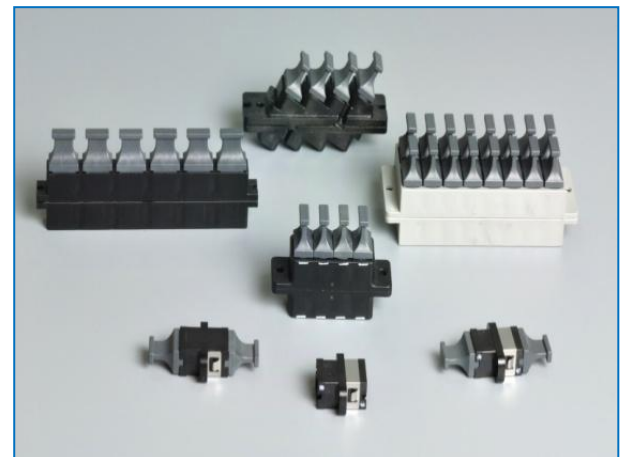
- Telecom network
- Ethernet network
- Optical communication equipment
- Local Area Networks(LANs)
- Data processing networks

Specification:

Items	Repeatability	Operating Temperature
SM/PC	1000times	-40°C ~ +85°C

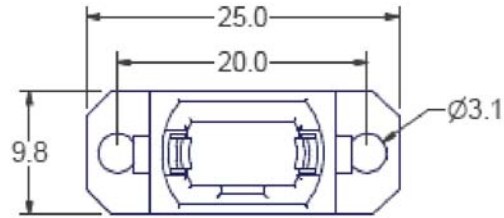


MPO Adapter

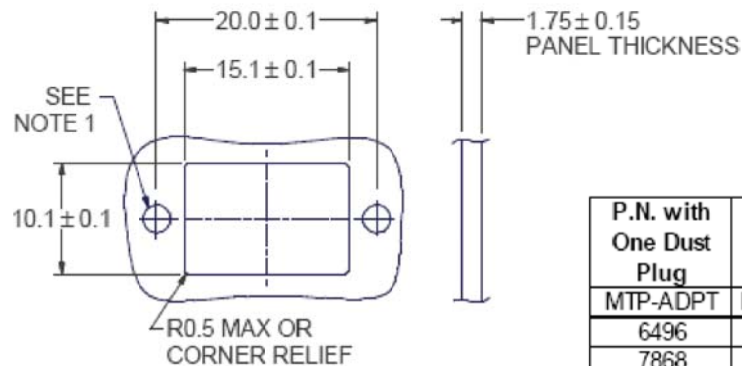
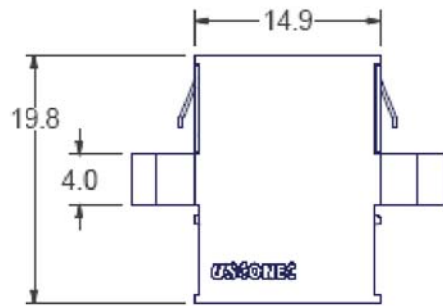
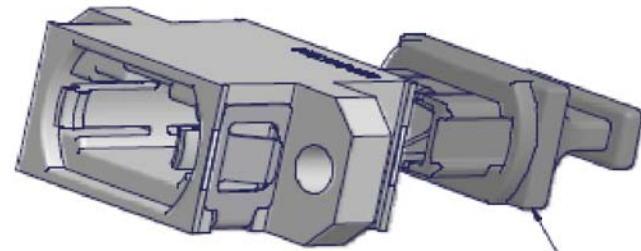


MTP Adapter

A B C D E F G H



FULL FLANGE



RECOMMENDED MOUNTING CUTOUT

NOTE:
 1. RECOMMEND USE OF M2.5 OR 4-40 SCREW AND NUT (NOT PROVIDED).
 RECOMMEND 2in-lbf TORQUE FOR SCREW MOUNT APPLICATIONS.

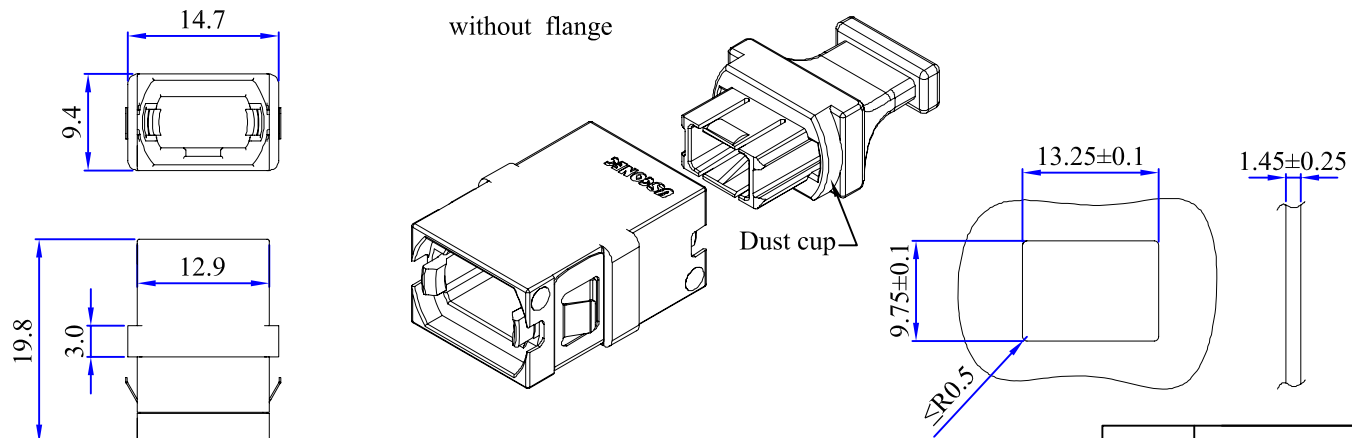
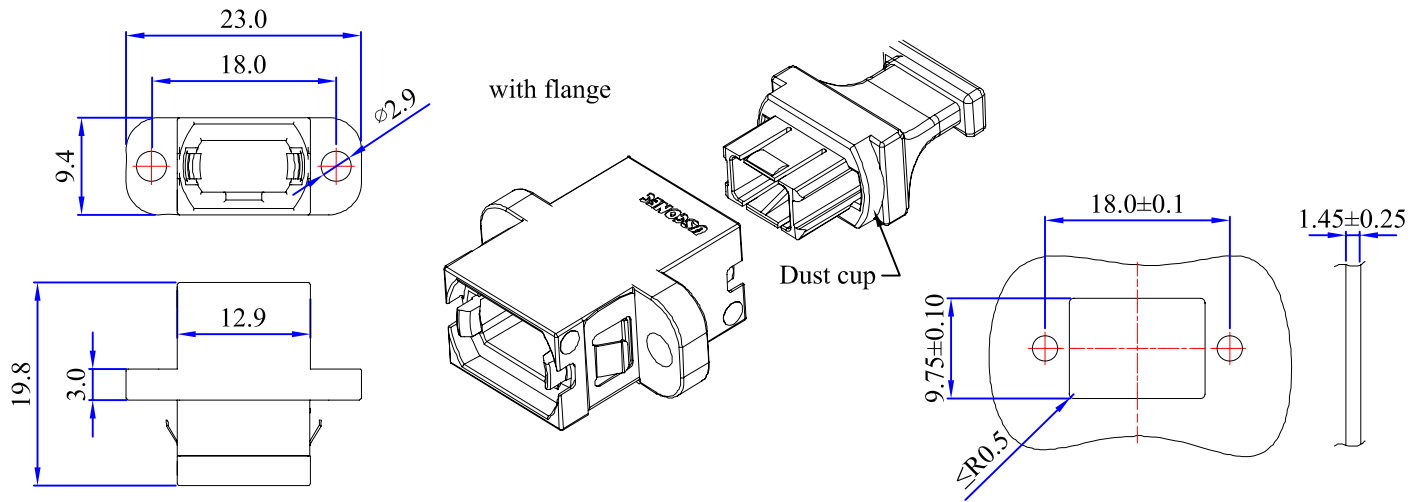
FULL FLANGE

P.N. with One Dust Plug	P.N. with Two Dust Plugs	Color	Key Orientation
MTP-ADPT	MTP-ADPT-2	Black	Opposed
6496	9220	Beige	Opposed
7868	8852	Green	Opposed
7869	9218	Aqua	Opposed
6531	9135	Blue	Opposed
5306	12196	Gray	Aligned

Title		MPO/MTP Adapter	
Drawing	Steven	Item No	
Check	Henry	Drawing No:	
Approval	Williams		
Date	2018	Page: 1-1	曦和光电科技有限公司 XH Opto Tech Co.,LTd

1
2
3
4
5
6

A B C D E F G H



Technical requirement:

1. All the dimensions showing on the drawing are just for reference.

Title	MPO/MTP Adapter		
Drawing	Steven	Item No	
Check	Henry	Drawing No:	
Approval	Williams		曦和光电科技有限公司 XH Opto Tech Co.,LTd
Date	2018	Page: 1-1	

1

2

3

4

5

6